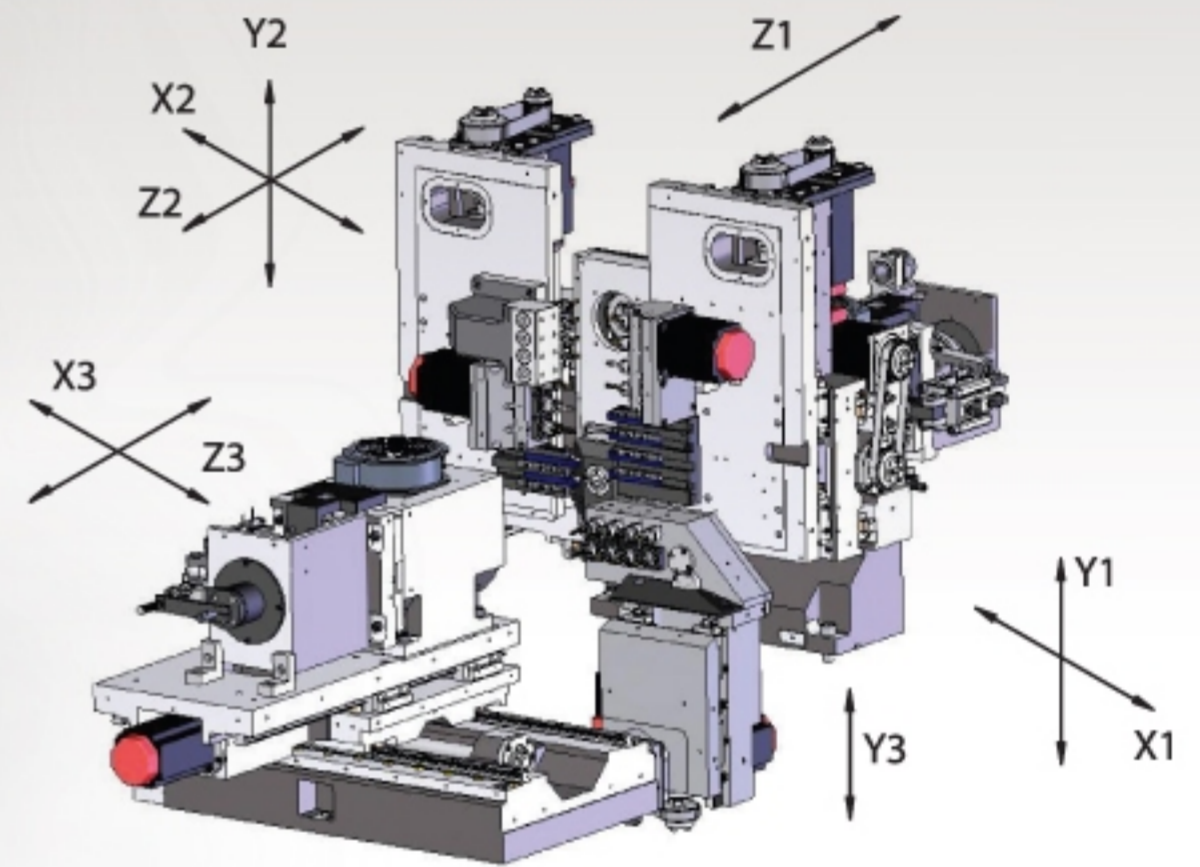


Hanwha

New Concept Machine XDI-20

Special feature

- Innovative tooling system for high precision
- Powerful built-in motors on main & sub spindle
- Appropriate mechanism for precise medicine parts
- The best tooling capability of 3path 9axes in same class
- Simultaneous drilling, endmilling and multiple tooling capability



Dimensions

Description				Description			
NC		Type	Fanuc FS310iA	Gang Type Tool Post II		O.D Tools	2EA
		Axes	3 Path 9 Axes			Front work tools	8EA
Machine	Max.rpm	Max.rpm	Main & Sub 12,500 rpm	Gang Type Tool Post III		Cross	3EA
		Max.turing diameter	Ø20			Back tools(driven)	4EA
		Stroke	210mm			Back tools(fixed)	4EA
Gang Type Tool Post I		O.D Tools	4EA	Etc		Diameter	60mm
		Cross	4EA			Power	Main & Sub 2.2/3.7kW
						Weight	3,500kg
					Dimension(LxWxH)	2,600x1,200x1,700mm	